

FireBreak Qr GU10 IP20

Downlights



KSRFRD402



KSRFRD407



KSRFRD408

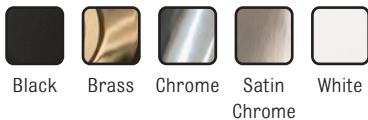
Specifications:

- Warranty: 1 Year
- Max 10W LED GU10 Lamps Only
- Loop In/Out Push Fit Terminals
- Can be covered in insulation
- Bezel supplied separately (10 Bezels per box)
- Product supplied less lamp

Construction:

Body – Steel
Bezel – Aluminium

Colour Options:



Classifications:



Lamp Options:

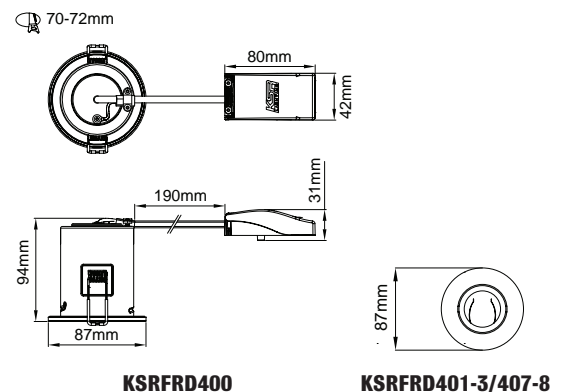
Code	Description
KSRLP932	7W 3000K 560 Lumen Dimmable LED GU10 Lamp
KSRLP933	7W 4000K 600 Lumen Dimmable LED GU10 Lamp

Code

Description

KSRFRD400	Fire Rated GU10 LED Downlight (Bezel not supplied)
KSRFRD401	IP20 White Bezel For KSRFRD400 Downlight
KSRFRD402	IP20 Chrome Bezel For KSRFRD400 Downlight
KSRFRD403	IP20 Satin Chrome Bezel For KSRFRD400 Downlight
KSRFRD407	IP20 Black Bezel For KSRFRD400 Downlight
KSRFRD408	IP20 Brass Bezel For KSRFRD400 Downlight

Dimensions:



KSRFRD400

KSRFRD401-3/407-8